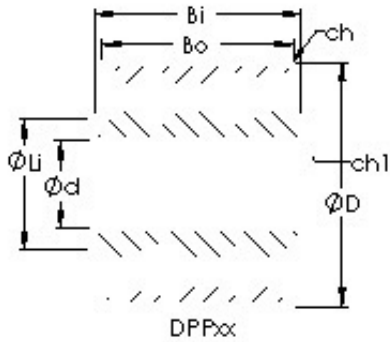




BEARING FORGE OF AMERICA CORP.



AST DPP10 deep groove ball bearings

Bearing No. DPP10

Bore Diameter	15,875 mm
Outer Diameter	49,2125 mm
Bearing Type	DPPxx
Bore Dia (d)	0.6250
Outer Dia (D)	1.9375
Outer Width (Bo)	0.9200
Inner Width (Bi)	0.9950
Dynamic Load Rating (Cr)	13,100
Static Load Rating (Cor)	28,400
Max. Shaft Shoulder Dia. Inner (Li)	0.9
Ball Qty	24
Ball Dia (Dw)	0.3430
Max. shaft corner radius, or 45 deg. chamfer (ch1)	0.015
Max. housing corner radius, or 45 deg. chamfer (ch)	0.044
Material	52100 Chrome steel or equivalent

DPP10 Bearing 2D drawings and 3D CAD models