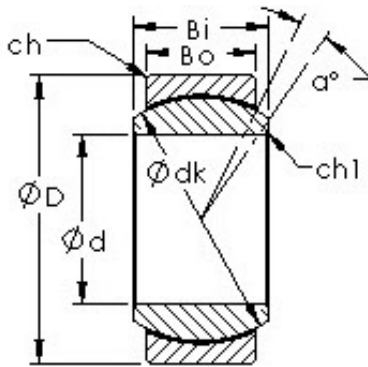




BEARING FORGE OF AMERICA CORP.



AST GE30ET/X plain bearings

Bearing No. GE30ET/X

Bore Diameter	30 mm
Outer Diameter	47 mm
Bearing Type	plain
Bore Dia (d)	30.0000
Outer Dia (D)	47.0000
Outer Width (Bo)	18.0000
Inner Width (Bi)	22.0000
Dynamic Load Rating (Cr)	110,000
Static Load Rating (Cor)	263,000
Max. shaft corner radius, or 45 deg. chamfer (ch1)	0.600
Max. housing corner radius, or 45 deg. chamfer (ch)	0.600
Spherical Diameter (dk or Dk)	40.700
Mis-alignment Angle (α deg.)	6
Weight (g)	149.00
Material	Inner ring and outer ring made from stainless steel

GE30ET/X Bearing 2D drawings and 3D CAD models