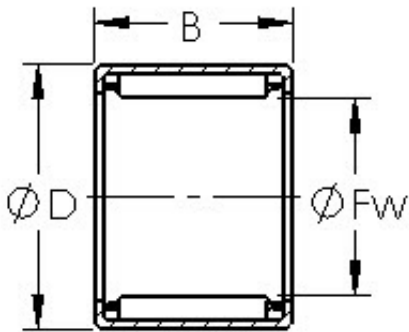




## BEARING FORGE OF AMERICA CORP.



### AST SCE2016 needle roller bearings

Bearing No. SCE2016

Bore Diameter	31,75 mm
Outer Diameter	38,1 mm
Width	25,4 mm
Bearing Type	Cage Retained Rollers
Outer Dia (D)	1.5000
Width (B)	1.0000
Dynamic Load Rating (Cr)	6,100
Static Load Rating (Cor)	12,300
Max Speed (Grease) (X1000 RPM)	8,800
Shaft (Fw)	1.250
Weight (g)	45.00
Material - Drawn cup: Hardened carbon steel alloy, Rollers	52100 Chrome steel or equivalent

SCE2016 Bearing 2D drawings and 3D CAD models