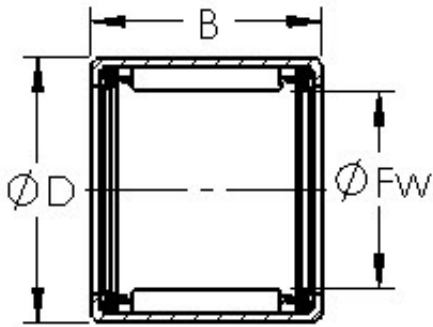




## BEARING FORGE OF AMERICA CORP.



### AST SCE912PP needle roller bearings

Bearing No. SCE912PP

Bore Diameter	14,3 mm
Outer Diameter	19,05 mm
Width	19,05 mm
Bearing Type	Cage Retained Rollers, Two Seals
Outer Dia (D)	0.7500
Width (B)	0.7500
Dynamic Load Rating (Cr)	2,120
Static Load Rating (Cor)	3,150
Max Speed (Grease) (X1000 RPM)	14,000
Shaft (Fw)	0.563
Weight (g)	12.00
Material - Drawn cup: Hardened carbon steel alloy, Rollers	52100 Chrome steel or equivalent

SCE912PP Bearing 2D drawings and 3D CAD models