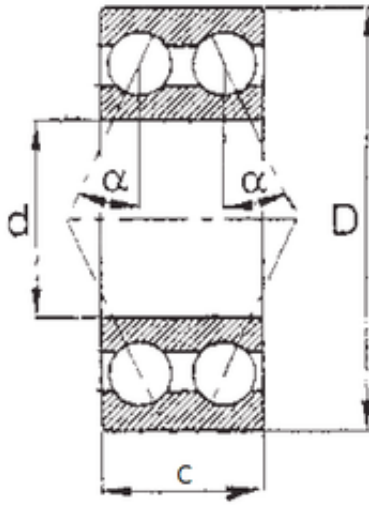




BEARING FORGE OF AMERICA CORP.



70 mm x 125 mm x 39,688 mm FBJ 5214 angular contact ball bearings

Bearing No. 5214

Size	70x125x39.688 mm
Bore Diameter	70 mm
Outer Diameter	125 mm
Width	39,688 mm
d	70 mm
D	125 mm
B	39,688 mm
C	39,688 mm
Angle ()	25 °
Weight	1,81 Kg
Basic dynamic load rating (C)	94,5 kN
Basic static load rating (C0)	82,6 kN
(Grease) Lubrication Speed	3100 r/min

5214 Bearing 2D drawings and 3D CAD models