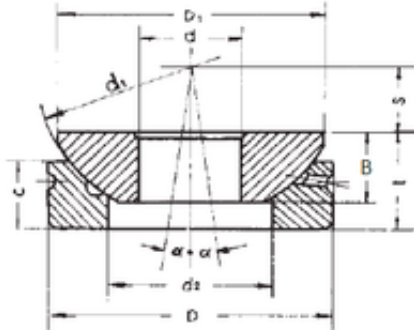




BEARING FORGE OF AMERICA CORP.

100 mm x 210 mm x 51 mm FBJ GX100S plain bearings



GX100S Bearing 2D drawings and 3D CAD models

Bearing No. GX100S

Size	100x210x59 mm
Bore Diameter	100 mm
Outer Diameter	210 mm
Width	59 mm
d	100 mm
D	210 mm
T	59 mm
B	51 mm
C	46 mm
d1	222 mm
d2	127 mm
D1	198 mm
S	45 mm
Angle	8 °
Weight	10,98 Kg
Basic dynamic load rating (C)	1200 kN