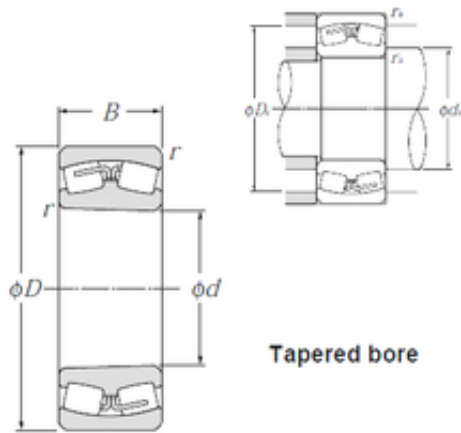




# BEARING FORGE OF AMERICA CORP.

## 22322BK NTN Spherical Roller Bearings



Bearing No. 22322BK

|                               |               |
|-------------------------------|---------------|
| Size                          | 110x240x80 mm |
| Bore Diameter                 | 110 mm        |
| Outer Diameter                | 240 mm        |
| Width                         | 80 mm         |
| d                             | 110 mm        |
| D                             | 240 mm        |
| B                             | 80 mm         |
| C                             | 80 mm         |
| r min.                        | 3 mm          |
| da min.                       | 124 mm        |
| Da max.                       | 226 mm        |
| ra max.                       | 2,5 mm        |
| Weight                        | 16,7 Kg       |
| Basic dynamic load rating (C) | 745 kN        |
| Basic static load rating (C0) | 930 kN        |
| (Grease) Lubrication Speed    | 1 700 r/min   |
| (Oil) Lubrication Speed       | 2 200 r/min   |
| Calculation factor (e)        | 0,36          |
| Calculation factor (Y0)       | 1,83          |
| Calculation factor (Y1)       | 1,87          |

22322BK Bearing 2D drawings and 3D CAD models