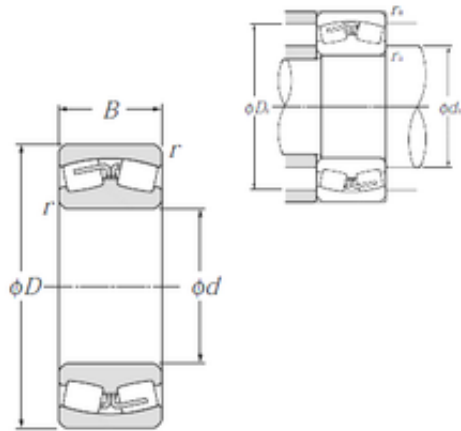




BEARING FORGE OF AMERICA CORP.

24064B NTN Spherical Roller Bearings



Bearing No. 24064B

Size	320x480x160 mm
Bore Diameter	320 mm
Outer Diameter	480 mm
Width	160 mm
d	320 mm
D	480 mm
B	160 mm
C	160 mm
r min.	4 mm
da min.	338 mm
Da max.	462 mm
ra max.	3 mm
Weight	103 Kg
Basic dynamic load rating (C)	2 510 kN
Basic static load rating (C0)	5 200 kN
(Grease) Lubrication Speed	600 r/min
(Oil) Lubrication Speed	780 r/min
Calculation factor (e)	0,33
Calculation factor (Y0)	2,02
Calculation factor (Y1)	2,06
Category	Bearings
Inventory	0.0
Manufacturer Name	NTN
Minimum Buy Quantity	N/A
Weight / Kilogram	105
Product Group	B04311

24064B Bearing 2D drawings and 3D CAD models



BEARING FORGE OF AMERICA CORP.